

STONELOCK

GO

We See
People
Differently®

The REM (Reader Expansion Module) improves the overall security of your access control solution. The module provides end-to-end encryption, enables the addition of third-party access control readers for 2FA (2-factor authentication), and the use of OSDP protocol.

StoneLock's REM is Compatible with All Major Reader Technologies. Utilizing Wiegand or OSDP, the REM allows users to leverage their existing reader and card technology or migrate to new technologies over time.

By adding a StoneLock® facial biometric as a second factor of authentication, we are able to eliminate many of the most common security vulnerabilities associated with access control. Card sharing is difficult to track, and card cloning has become increasingly popular. StoneLock's REM enhances the overall integrity of your solution by ensuring cards presented match the users to which they were assigned.

AT A GLANCE

- Adds the ability to connect a 3rd party reader for 2FA
- Supports OSDP V1, V2, and Wiegand
- Enhances network security through white listing process
- Provides end-to-end encryption
- Provides flexible migration path for existing card access systems
- Multi-factor failure alerts
- Allows for redundant power supply

Enhanced Physical Security

Combining the use of a GO Reader with another credential significantly increases the security and integrity of your design. It will prevent card sharing and cloning in a solution.

Enhanced Network Security

The StoneLock REM provides end-to-end encryption. Utilizing an automatic whitelisting process, the REM ensures that the connection at the edge is isolated and only permits communication between the GO reader and the StoneLock Gateway.

Improved Situation Awareness

Multi-Factor failure alerts inform security personnel when a person presents someone else's credential. Operators will be able to assert which user presented whose credential.

Compatible with Industry-standard Cards and Readers

The REM is able to communicate with Wiegand and OSDP, the most commonly used reader protocols, allowing you to leverage existing cards, readers, and wiring infrastructure. The REM allows for a simple and seamless migration over time.

Provides Migration Path to OSDP

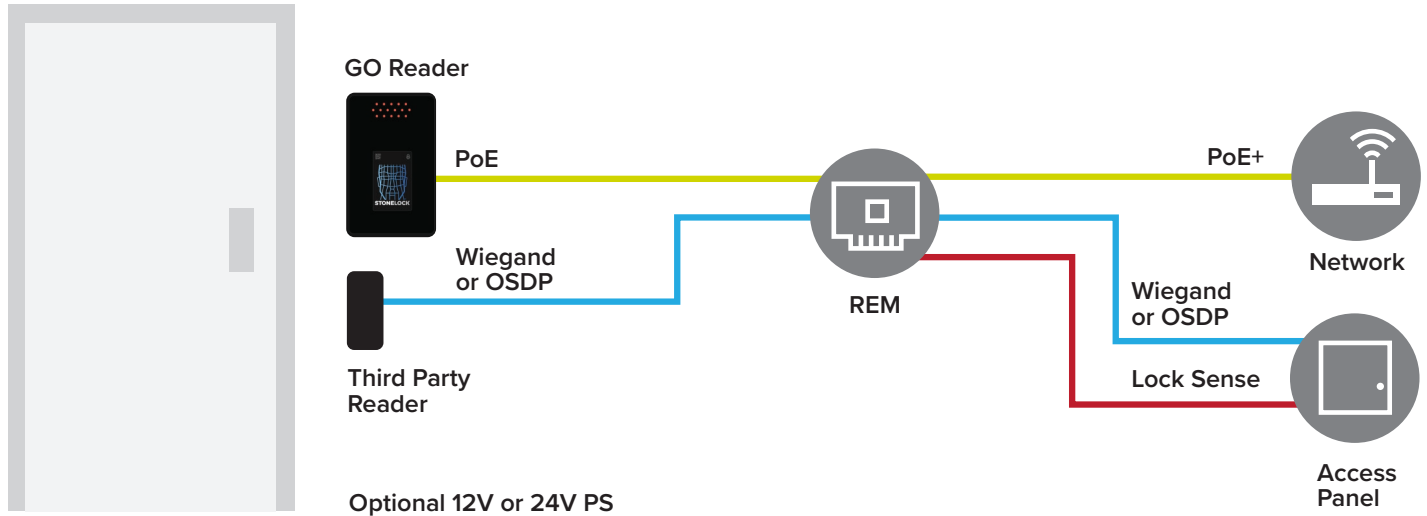
The REM allows an OSDP reader to connect to a Wiegand-only access control panel. As a result, the REM provides a seamless migration to OSDP without the need to replace physical controllers, securing the most vulnerable part of the reader's communication.



STONELOCK

GO

SYSTEM DIAGRAM



GO READER TECHNICAL SPECIFICATIONS

Facial Recognition Modes	1:N and 1:1
Verification Speed	< 1 sec
GO Readers Per REM	1
Reader Input	Wiegand, OSDP V1-V2
Reader Output	Wiegand, OSDP V1-V2
Lock Sense	Dry contact
Tamper	Dry contact
REM Power Requirements	POE + IEEE802.3at and/or 12/24V PS
Network Security	TLS 1.2 and 256 bit AES
Mounting Options	Cabinet included, compatible with universal cabinets
Dimensions	7.75" x 3.475"
Operating Environment	Indoor use only

GATEWAY SYSTEM REQUIREMENTS

Processor	Intel i7 processor or better
Minimum System Requirements	2 Core 8GB RAM, 15GB available storage
Recommended System Requirements	4 CORE, 16GB RAM, 50GB available storage
Operating System Compatibility	Ubuntu 18.04, 20.04, RHEL 8.0-8.7
Required Ports	80: Web Client, 443: Web Client, 8050: Database Service, 883: MQTT, 9999: sl_debug

ORDERING INFORMATION

GO	GO facial reader, wall mount, indoor. Includes connectors, mounting bracket and mounting screws. Requires PoE power.
REM	Reader Expansion Module for the GO facial reader with cabinet. Includes removable terminals and standoffs. Requires PoE+ or an external power supply.
GWY - HW	Hardware Appliance pre-loaded with Gateway Software. Includes one 3rd party integration license and updates for one year.
GWY - SW	Gateway Software. Includes one 3rd party integration license and updates for one year.