

STONELOCK

GATEWAY

We See
People
Differently®

StoneLock® makes the experience of managing biometrics in an enterprise environment a True Frictionless® experience.

The Gateway V3 facilitates the automatic and dynamic management of biometric keys, eliminating false rejections and ensuring high availability.

Utilizing an intuitive integration with industry-leading access control systems, StoneLock provides operators with the ability to seamlessly manage biometric users the same way they would their traditional card users.

FEATURES THAT MAKE A DIFFERENCE

- First-Read Enrollment™ significantly reduces operational effort to onboard users with any of their existing cards or a QR code
- Multi-factor failure events are generated when card sharing occurs, detailing the biometric user and credential involved
- Enrolled user can verify at any reader with any of their existing cards without any programming of the system
- SISO key management eliminates the need to manually manage biometric key downloads
- Solution provides end-to-end encryption and enhances network security through whitelisting process (requires REM)
- Integration allows operators to manage biometric users through their access control solution
- Solution available as software (GWY-SW) or pre-configured hardware appliance (GWY-HW)
- StoneLock Gateway (GWY-SW) compatible with RHEL or Ubuntu
- Software updates included for one year
- Third-party integration license included*

* may require a license from access control system

Simplified Enrollment of Biometric Users

First-read enrollment means that users without a biometric key will be prompted automatically at the door when they need to be enrolled. After the approximate 30-second enrollment process, users will be able to verify at any reader on the Gateway, all without the need for an administrator to touch a single piece of software or hardware.

Autonomous Biometric Key Management

Operators will never worry about having to manage a biometric key again. Enrolled users can authenticate at any reader without any programming of the system. StoneLock IdentityCare® will handle the transfer, management, and protection of issued keys automatically.

High Availability of Biometric Keys

For enterprise deployments, the Gateway V3's new SISO (Smart In, Smart Out) process automatically manages the distribution of biometric keys between readers. Each reader will maintain the biometric keys of the 10,000 most recent unique users, locally at the device. This ensures that in the event of a network or server failure, users can authenticate at the door without the need for an operator to manage biometric key uploading and downloading. By maintaining biometric key databases based on usage instead of access levels, the Gateway V3 can more efficiently and accurately anticipate which users will require high availability on which readers. For databases exceeding 10,000 biometric users, administrators can grant any user privileged status, ensuring their biometric key is available locally on any reader.

Protect Privacy and Enhance Security online reference: stonelock.com/data-privacy

StoneLock's spoof-resistant technology brings the highest assurance that only verified users will access the premise. Only StoneLock's proprietary algorithm on the GO reader can match the present user with their biometric key. The biometric data cannot be reverse engineered into the likeness of its user. StoneLock's Gateway V3 has been cyber-hardened and uses best security practices to protect any non-PII collected data.

StoneLock supports, subscribes to, and complies with GDPR and other privacy laws. StoneLock will never compromise privacy for the security of a system—it prioritizes both.

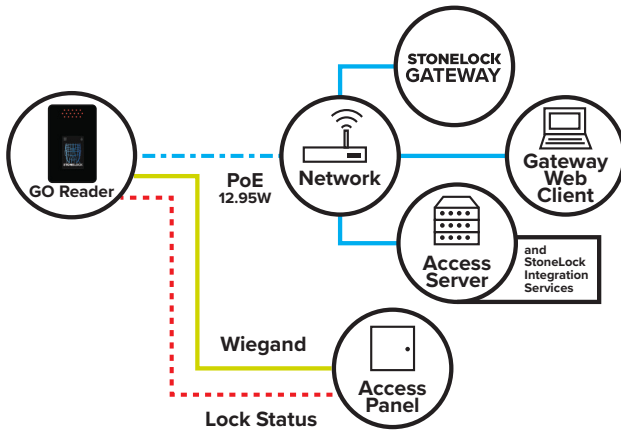
Next Level Integration with Leading Access Control Solutions

Integration packages eliminate all the operational effort typically required to manage a biometric solution. Biometric users can be created, enrolled, edited and deleted without having to leave the interface of the access control solution. The Gateway V3 integration automatically manages users with up to five cards as well as visitors or contractors without cards. When available, StoneLock events are streamed to the access control system for simplified reporting, alerts, and automation.

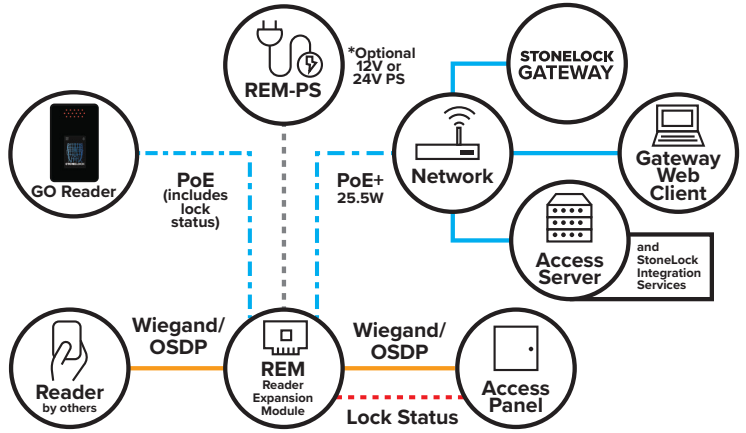
STONELOCK

GO

SYSTEM DIAGRAM: GO READER



SYSTEM DIAGRAM: GO READER WITH READER EXPANSION MODULE



- CAT5e/6
- 2c. shielded – Wiegand + ground reference
- 6c. – Wiegand or OSDP
- 2c. – for dry contact closure
- 2c. – if not using PoE+ or for redundancy

REM Benefits
 Network Isolation
 Aux Power Supply
 OSDP

GATEWAY V3 SPECIFICATIONS

Readers Per Gateway	100 GO and REM
Encryption tools	256bits AES Encryption, TLS 1.2
Required ports	80: Web Client, 443: Web Client, 8080: Web Server, 8050: Database Service, 1883: MQTT, 9999: sl_debug
Access Control Integrations	Integrates to most leading access control platforms (see website for up-to-date list). Compatible with all access control systems utilizing CSV import. Integration requires Windows 10 and above or windows server 2016 or above.

GWY-SW SYSTEM REQUIREMENTS

Processor	Intel i7 processor or better
Minimum System Requirements	2 CORE, 8GB RAM, 15GB available storage for no more than 5,000 total users in the Gateway
Recommended System Requirements	4 CORE, 16GB RAM, 50GB available storage
Operating System Compatibility	Ubuntu 18.04.X LTS, RHEL V7.7 or higher, virtual environment supported

GWY-HW SPECIFICATIONS

Processor Intel® Celeron®	J4005 Processor
Memory	8 GB DDR4-2400 1.2V SO-DIMM
Storage	250 GB SSD
Operating System	Ubuntu 18.04 LTS
Chasis Dimensions	115 x 111 x 51mm
Network	IEEE 802.3

ORDERING INFORMATION

GO	GO facial reader, wall mount, indoor. Includes connectors, mounting bracket and mounting screws. Requires PoE power.
REM	Reader Expansion Module for the GO facial reader with cabinet. Includes removable terminals and standoffs. Requires PoE+ or an external power supply.
GWY-HW	Hardware Appliance pre-loaded with Gateway Software. Includes third-party integration license and updates for 1 year.
GWY-SW	Gateway Software. Includes a third-party integration license and updates for 1 year.
GWY-UPG	Gateway upgrade license. Includes 1 year of additional upgrades.

ABOUT STONELOCK

StoneLock is a leader in the design and manufacturing of biometric access control reader technology. Providing a best-in-class solution for both security and privacy, StoneLock offers rapid, reliable authentication of users while providing ease of use for both users and administrators of the system. Together with the StoneLock Gateway, a biometric-centric authentication solution, StoneLock solutions deliver a contactless and utterly secure and private experience for users. Backed by proprietary and patented innovations, StoneLock leads the industry with its own IdentityCare® for user identity assurance and protection. That is why more than 40 percent of Fortune 100 companies, as well as government entities, rely on StoneLock, a privately held company, for the seamless protection of their most critical assets. For more information, visit www.stonelock.com.